

## auto electrical parts

### Technical Information Sheet

#### Part No. 0-668-11

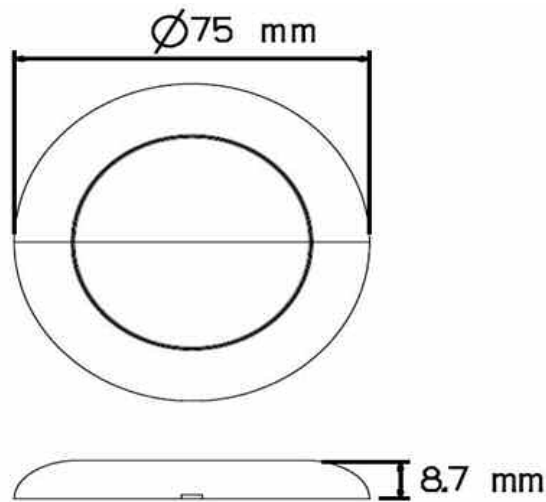
Slim 12/24 volt LED Circular Interior Lamp, 10 SMD LEDs, 665Lm, surface mounting with white plastic bezel. Protected to IP67. CE approved.

#### Additional information

Red wire +ve supply  
White wire -ve ground



#### Technical Drawing (not to scale)



#### Specification

Type	LED Circular Interior Lamp
Voltage	12/24 volt dc
LED	10 SMD LEDs
Illumination	665Lm
Housing	ABS White Bezel
Lens	Polycarbonate
Protection	IP67
Dimensions	As Above
Compliance	CE, EMC R10

The information contained in this document is correct to the best of our knowledge at the time of printing. However, specifications may change at any time without notice.